

Shower - Supernova

Concealed thermostat with two-way volume control - Champagne

Article number: 36 426 670-47 0010



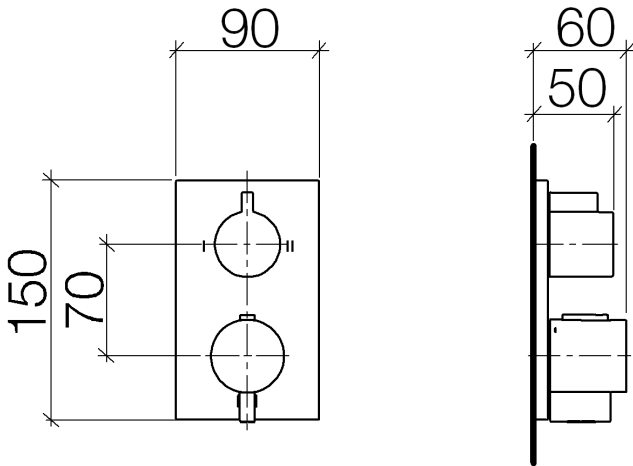
- Diverter with integrated volume control and integrated stops
- Cover plate 5-7/8" x 3-1/2"
- Temperature control handle with safety lock at 100 °F/ 38°C
- Max. temperature can be set on the trim
- (ADA)



Champagne

Accessory is required for this item.

Dimensional drawing



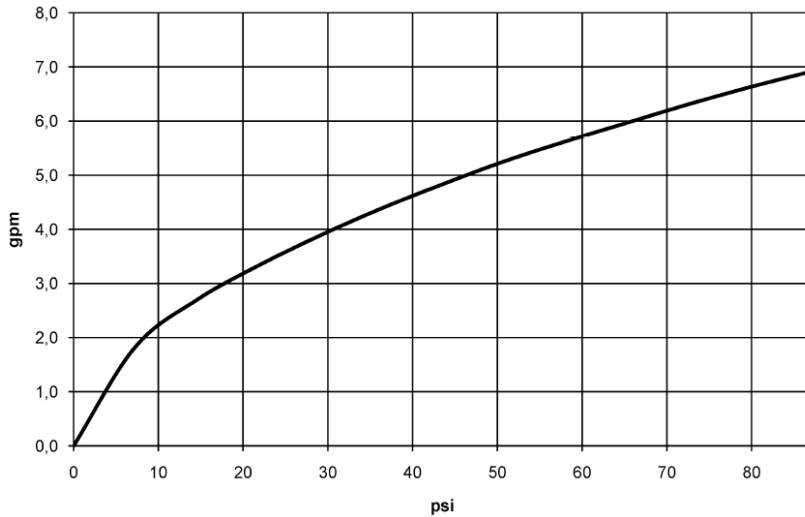
All dimensions in mm / inch = mm x 0,0394

Shower - Supernova

Concealed thermostat with two-way volume control - Champagne

Article number: 36 426 670-47 0010

Flow rate chart



Other surface finishes



polished chrome
36 426 670-00 0010



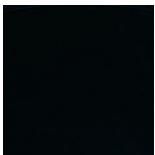
platinum matte
36 426 670-06 0010



platinum
36 426 670-08 0010



platinum
36 426 670-08



black matte
36 426 670-33 0010



Champagne
36 426 670-47



Cyprum
36 426 670-49 0010

Other surfaces upon request (extra service)

Shower - Supernova

Concealed thermostat with two-way volume control - Champagne

Article number: 36 426 670-47 0010

Required article



35 426 970-90 0010

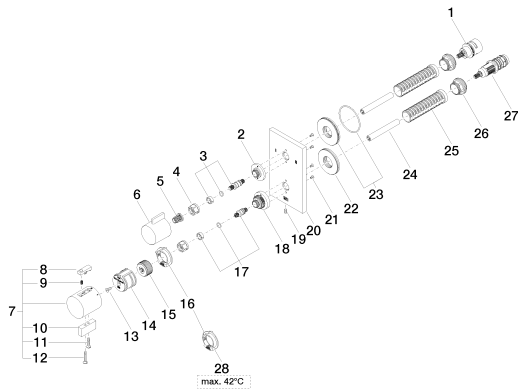
Concealed thermostat with
integrated supply stops

Shower - Supernova

Concealed thermostat with two-way volume control - Champagne

Article number: 36 426 670-47 0010

Exploded drawing



Spare parts list

Number	Item Number	Designation	Number of units
1	90 90 03 163 00 90	Conversion	1
2	09 12 12 053-47	Mounting bracket	1
3	04 29 06 111 00-47	spindle	1
4	09 23 30 023 90	Mounting bracket	2
5	09 12 12 002 90	Upper part white	1
6	09 20 67 006-47	Handle	1
7	04 17 33 006 00-47	Handle	1
8	09 21 33 010-47	handle	1
9	09 16 02 027 90	Handle	1
10	09 20 33 006-47	Handle	1
11	09 30 30 159-47	screw	1
12	09 30 30 160-47	screw	1
13	09 30 30 124 90	Mounting bracket	1
14	09 12 12 052 90	Mounting bracket	1
15	09 12 12 054 90	Mounting bracket	1
16	09 28 10 152 90	Application	1
17	04 29 06 024 00-47	spindle	1
18	09 12 12 051-47	Mounting bracket	1
19	09 31 11 134 90	Mounting bracket	1
20	09 11 02 263-47	plate	1
21	09 30 30 157 90	Mounting bracket	4
22	09 30 01 188 90	Wall connection	1
23	90 30 01 190 00 90	Wall connection	1
24	09 23 01 124 90	Hood / sleeve	2
25	09 18 40 077 90	Hood / sleeve	2
26	09 24 04 257 90	Mounting bracket	2
27	90 15 02 012 00 90	Thermostatic cartridge	1
28	09 28 10 151 90	Application	1